



AOITEC INTERNATIONAL PTE. LTD.
Your smart and reliable automation partner



Electric Linear Valve Actuator

—Ulli-L Series

Email: annaxiao@aoitec.ltd

WhatsApp: +65 86160872

WeChat: 18675525088

aoitecglobal.com

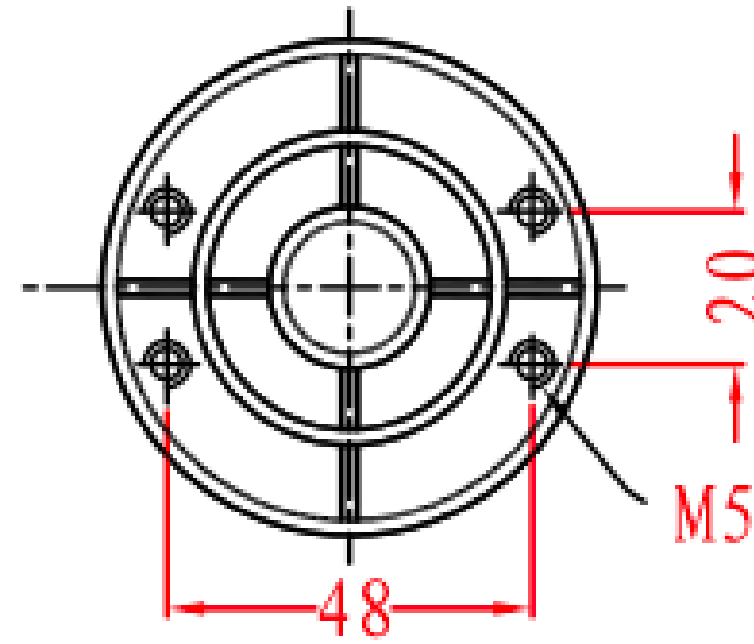
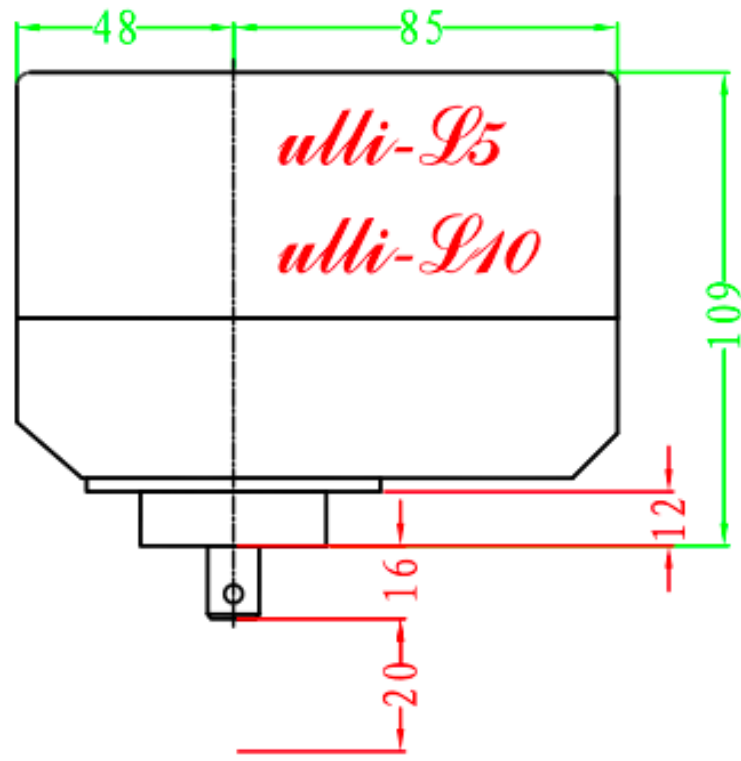
Linear Valve Actuators- Data sheet



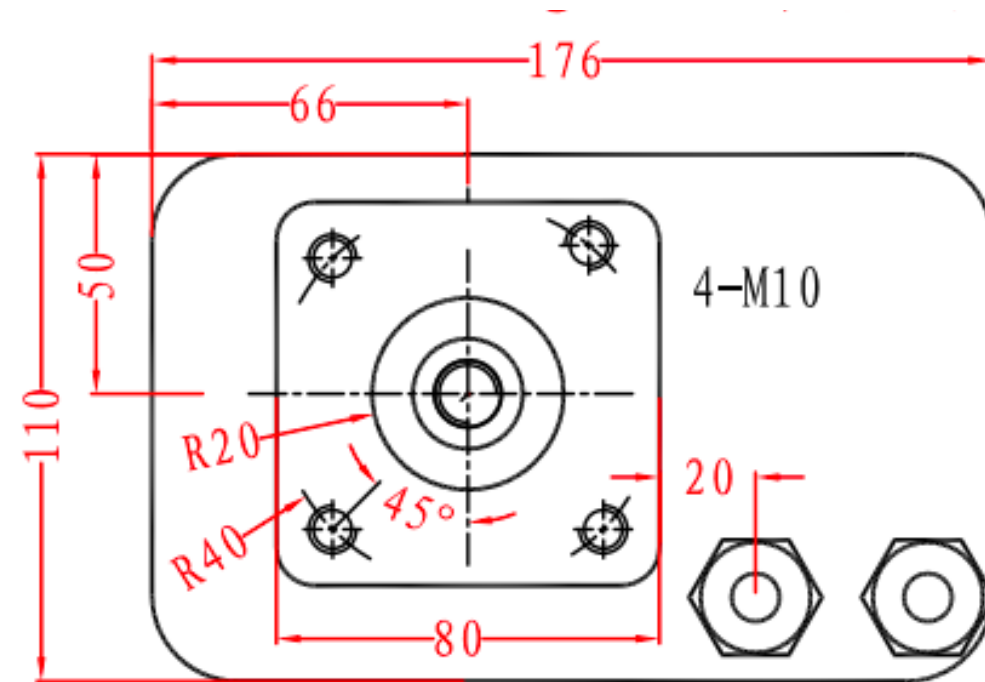
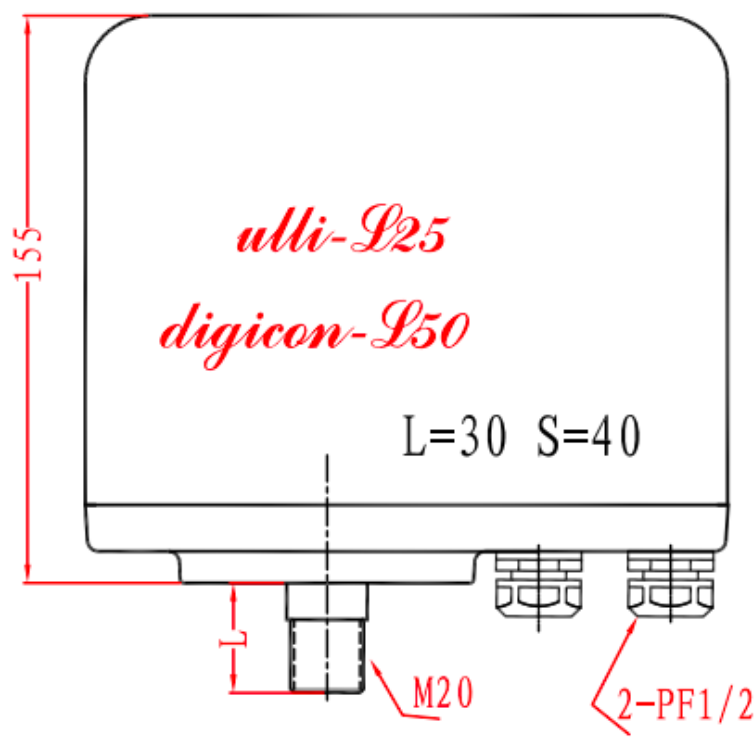
Model	Power supply	Thrust (kgf)	Stroke	Stroke time 50Hz SEC	IP grade	Motor F Class in/out	220V start current	220V rated current	Weight (kg)	Control signal
ulli-L5	AC24V	50	20	60	IP65	20W/6W	0.8A, 24V	0.7A, 24V	1.2	
ulli-L10	AC24V	100	20	60	IP65	20W/6W	0.8A, 24V	0.7A, 24V	1.2	
ulli-L25	AC24V AC220V 110V	250	40	25/50	IP65	80W/23W	0.58A, 220V 3.5A, 24V	0.62A, 220V 3.8A, 24V	3.5	
ulli-L35	AC24V AC220V 110V	350	40	25/50	IP65	80W/23W	0.58A, 220V 3.5A, 24V	0.62A, 220V 3.8A, 24V	3.5	
ulli-L50	AC24V AC220V 110V	500	40	50	IP65	80W/23W	0.58A, 220V 3.5A, 24V	0.62A, 220V 3.8A, 24V	3.5	
ulli-L70	AC24V AC220V 110V	700	40	50	IP65	80W/23W	0.58A, 220V 3.5A, 24V	0.62A, 220V 3.8A, 24V	3.5	
ulli-L120	AC24V AC220V 110V	1200	80	50	IP65	200W//60W	0.9A, 220V 5.3A, 24V	0.95A, 220V 5.8A, 24V	7.8	
ulli-L200	AC24V AC220V 110V	2000	80	50	IP65	300W /90W	1.2A, 220V	1.3A, 220V	7.8	
dogicon-L5	AC24V	50	20	60	IP65	20W/6W	0.8A, 24V	0.7A, 24V	1.3	0-10v 4-20mA
dogicon-L10	AC24V	100	20	60	IP65	20W/6W	0.8A, 24V	0.7A, 24V	1.3	0-10v 4-20mA
dogicon-25	AC24V AC220V 110V	250	40	25	IP65	80W/23W	0.58A, 220V 3.5A, 24V	0.62A, 220V 3.8A, 24V	4	0-10v 4-20mA
dogicon-50	AC24V AC220V 110V	500	40	50	IP65	80W/23W	0.58A, 220V 3.5A, 24V	0.62A, 220V 3.8A, 24V	4	0-10v 4-20mA
dogicon-L120	AC24V AC220V 110V	1200	60	60	IP65	200W /60W	0.9A, 220V 5.3A, 24V	0.95A, 220V 5.8A, 24V	7.8	0-10v 4-20mA
dogicon-L200	AC24V AC220V 110V	2000	60	120	IP65	300W/90W	1.2A, 220V	1.3A, 220V	7.8	0-10v 4-20mA

Diagrams

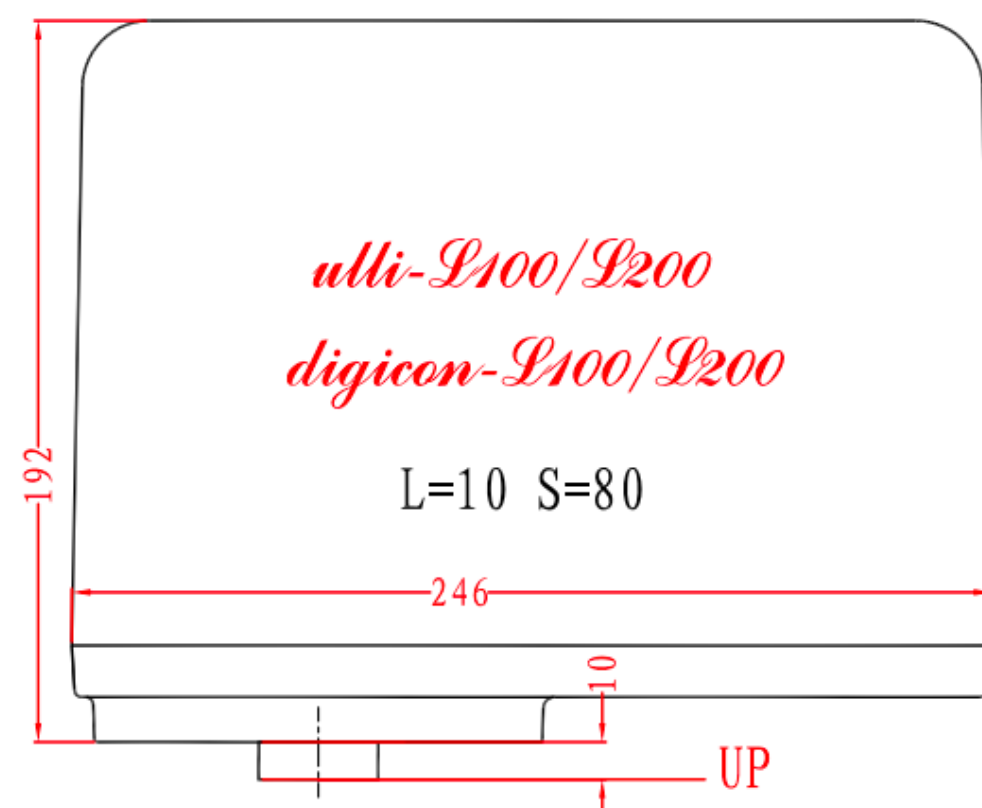
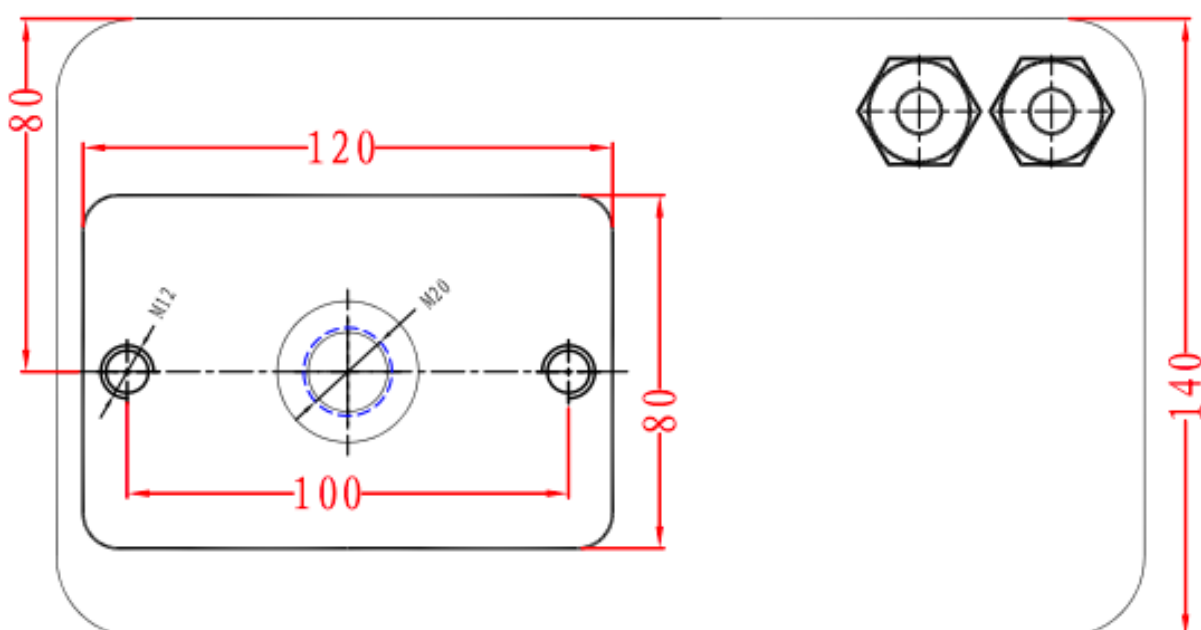
ulli-L5/L10 digicon-L5/L10



ulli-L25/L50 digicon-L25/L50



ulli-L100/L200 digicon-L100/L200



SINCE 2004, AOITEC HAS PROVIDED AUTOMATION SOLUTIONS FOR A VARIETY OF INDUSTRIES AROUND THE WORLD

VISIT AOITECGLOBAL.COM TO LEARN MORE ABOUT OTHER AOITEC PRODUCTS AND LOCATIONS NEAR YOU

Headquarter

AOITEC (GD) Co., LTD.
Floor 11, Building 18 and Building 5, Xinghe Artificial Intelligence Industrial Park,
Zhongkai Tech Zone, Huizhou

Offices

China
Taiwan
Singapore

Email: annaxiao@aoitec.ltd

WhatsApp: +65 86160872

WeChat: 18675525088

Website: www.aoitecglobal.com

All statements, technical details, and recommendations provided in this bulletin are intended for general informational purposes only. For specific requirements and material selection tailored to your application, please consult a Aoitec representative or the factory. Patents have been issued and applied worldwide.

